



**KLEERWRAP® POST WRAP INSTALLATION INSTRUCTIONS**



## INTRODUCTION TO KLEERWRAP® POST WRAPS

KLEERWrap PVC Post Wraps feature a unique interlocking joint and pre-mitered moulding sets to help make installation fast and easy for one person. Post Wraps install with basic tools and offer a lifetime of beauty and protection for your posts with very low maintenance. For additional information, visit the resources page on [KleerLumber.com](http://KleerLumber.com).

### MATERIALS & TOOLS

#### Materials

- KLEERWrap Post Wrap
- KLEERWrap Mouldings
- Stainless steel nails or exterior-grade screws
- Kleer Nail Stick, Kleer Structural Sealant or Kleer Cellular PVC Adhesive
- (optional) 100% acrylic latex exterior paint

#### Tools

- Handsaw or reciprocating saw
- Tape measure
- Eye protection
- Respirator

### STORAGE AND HANDLING

- Store on a flat, level surface in a clean, dry location

**Note:** *KLEERWrap Bed, Crown, Base/Cap Moulding and Outer Wrap Sets are sold separately.*

### APPLICATIONS

KLEERWrap Post Wraps are not structural and should not be used for load-bearing applications. It is acceptable for post wraps to come in contact with the ground or masonry.

#### Approved for:

- 4"x4" decorative posts, 8' or 10' tall
- 6"x6" decorative posts, 8' or 10' tall
- 8"x8" decorative posts, 10' tall
- 10"x10" decorative posts, 10' tall

**NOTE:** *When using KLEERWrap around a post in a railing application, solid blocking must be attached between the post and the KLEERWrap Post Wrap. Refer to your local building code for details.*

## INSTALLING KLEERWRAP POST WRAPS

### Step 1: Cut To Length

- Measure the post height and cut the two-piece, assembled KLEERWrap Post Wrap to the desired length with a reciprocating saw or handsaw (**Fig. 1a & 1b**).

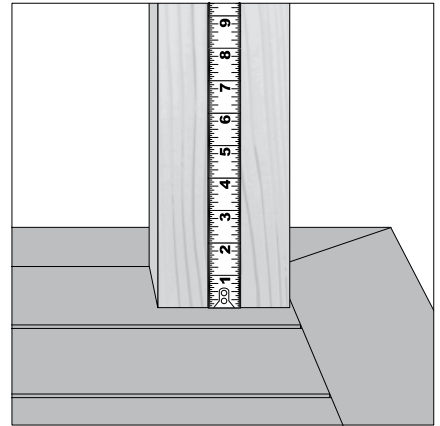


Fig. 1a

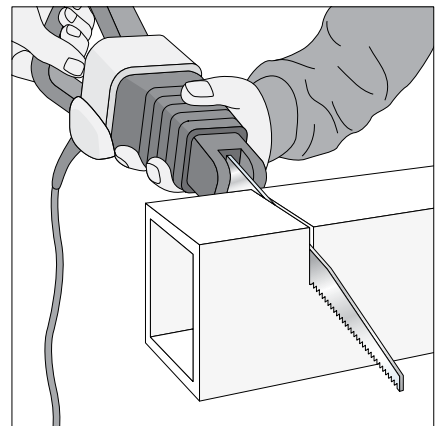


Fig. 1b

### Step 2: Apply Glue

- Carefully remove the loose panel of the KLEERWrap Post Wrap, indicated by a small sticker at the end of the assembly.
- Apply a small bead of Klear Cellular PVC Adhesive (4-7 Minute Work Time) to the outside of each of the joints along the length of the KLEERWrap Post Wrap (**Fig. 2**).

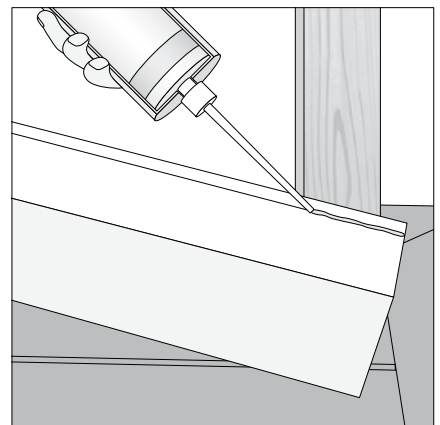


Fig. 2

### Step 3: Assemble

- Place the KLEERWrap Post Wrap around the post. Starting at the bottom of the KLEERWrap Post Wrap “snap” the loose side back into place (**Fig. 3a**).
- Carefully slide your hand upward along the face of the loose panel so it snaps into place along the full length of the KLEERWrap Post Wrap. Wipe away the excess adhesive from the joints with a clean rag (**Fig. 3b**).

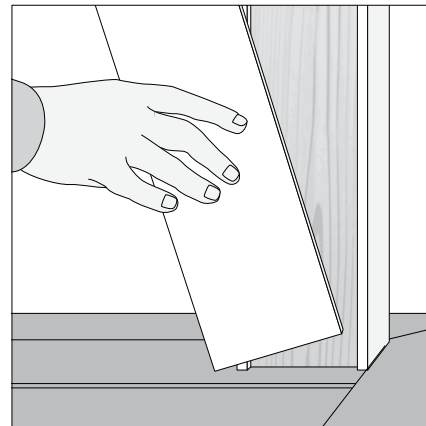


Fig. 3a

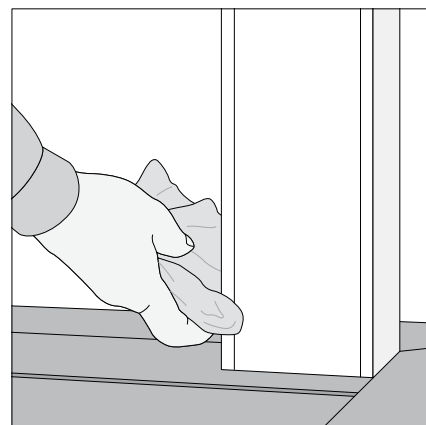


Fig. 3b

### Step 4: Fasten (Optional)

KLEERWrap Post Wraps may be fastened to posts to prevent movement by using stainless steel nails or exterior grade screws.

Nail or screw holes can be easily filled using the following products:

- Klear Nail Stick
- Klear Structural Sealant
- Klear Cellular PVC Adhesive (4-7 Minute Work Time)
- Similar sealant products formulated for cellular PVC

## INSTALLING OUTER WRAP SETS

Use KLEERWrap 5", 7" and 12" Outer Wrap Sets to form bases and caps on your KLEERWrap Post Wraps.

### Step 1: Test Fit

- Separate the two male pieces from the two female pieces and trial fit them around your post wrap.

### Step 2: Apply Glue

- Apply a small bead of Klear Cellular PVC Adhesive (4-7 Minute Work Time) on the outside tongue of each of the male pieces (**Fig. 4a**)
- Position the first piece against the KLEERWrap Post Wrap (**Fig. 4b**).

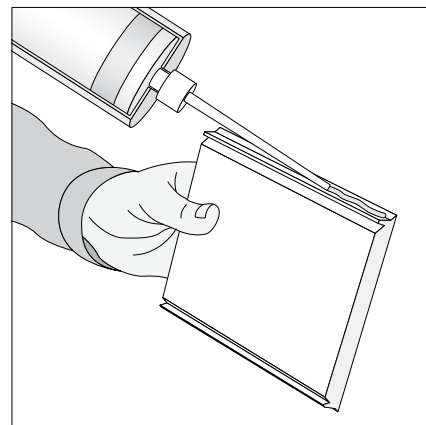


Fig. 4a

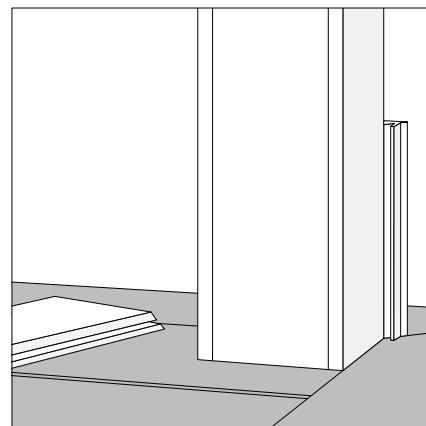


Fig. 4b

### Step 3: Assemble

- Slide the grooved edge of a female piece onto the tongue of the male part previously positioned in Step 2.
- Repeat on opposite sides, ensuring all mitered corners are tight and flush (**Fig. 5a**).
- Apply a small bead of Kleer Cellular PVC Adhesive (4-7 Minute Work Time) to the outside surfaces of each tongue on the remaining male piece. Slide the tongues on the male part into the grooves of the two female parts to complete the assembly (**Fig. 5b**).

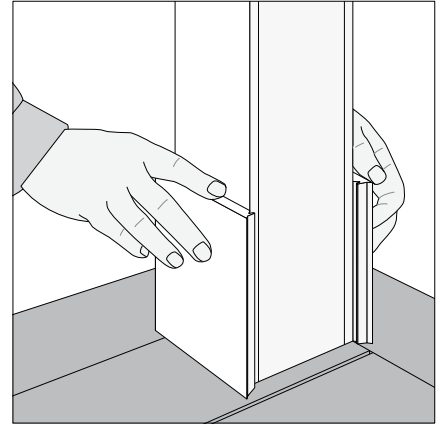


Fig. 5a

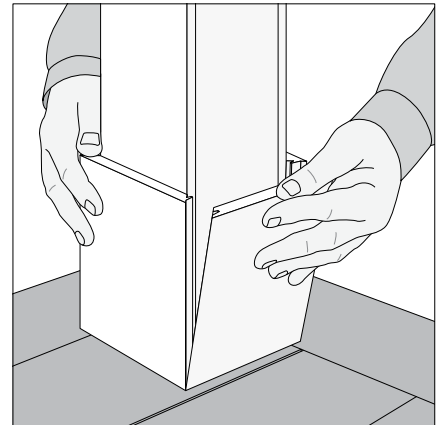


Fig. 5b

### Step 4: Clamp

- Use clamps to apply medium pressure to the two male pieces for 30 minutes.
- As an alternative, you can wrap the outer assembly with electrical tape for 30 minutes.
- Immediately wipe off excess adhesive with a clean rag.

### Step 5: Fasten

- Secure the outer wrap to the KLEERWrap Post Wrap using stainless steel or galvanized brads or finished nails (**Fig. 6**).
- If possible, position the nails where they can be covered by mouldings (**Fig. 6**).

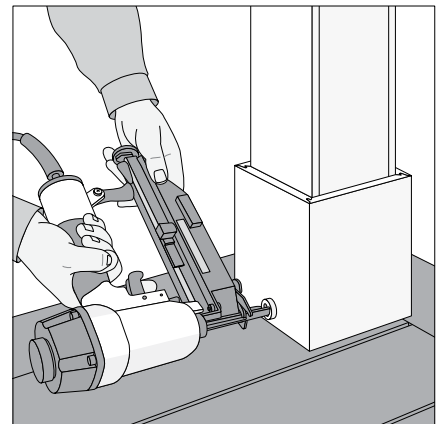


Fig. 6

## INSTALLING KLEERWRAP MOULDINGS

Create a custom look with easy-to-install, pre-mitered mouldings.

### Step 1: Apply Glue

- Apply a small amount of Klear Cellular PVC Adhesive (4-7 Minute Work Time) to the mitered joints at the ends of two pieces of mouldings (**Fig. 7**).

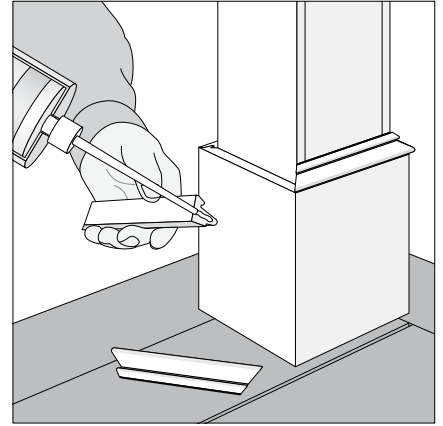


Fig. 7

### Step 2: Assemble First Half

- Place two moulding pieces onto the KLEERWrap Post Wrap forming a 90° angle (**Fig. 8a**) and secure in place using stainless steel or galvanized brads or finish nails (**Fig. 8b**).

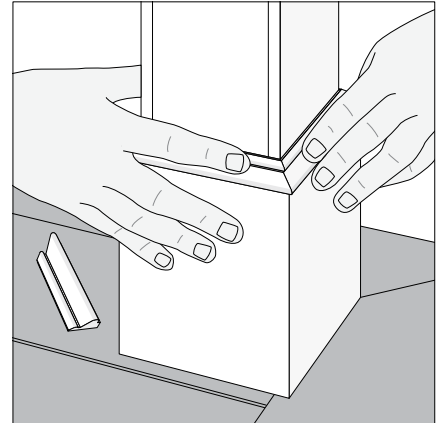


Fig. 8a

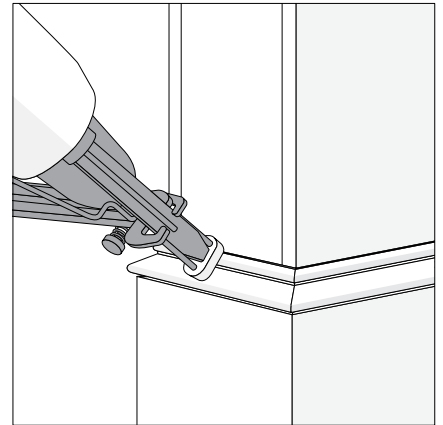


Fig. 8b

### Step 3: Assemble Second Half

- Repeat Step 2 with the remaining two pieces to complete the assembly. Wipe off excess adhesive with a clean rag. Secure in place using stainless steel or galvanized brads or finish nails.
- Nail or screw holes and gaps can be easily filled using the following products (**Fig. 9**):
  - Klear Nail Stick
  - Klear Structural Sealant
  - Klear Cellular PVC Adhesive (4-7 Minute Work Time)
  - Similar sealant products formulated for cellular PVC

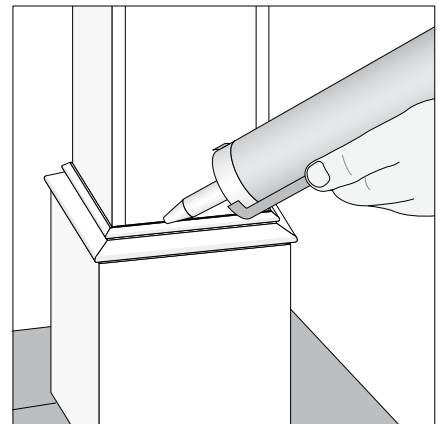


Fig. 9

## **PAINTING INSTRUCTIONS (OPTIONAL)**

KLEERWrap Mouldings and Accessories do NOT need to be painted for protection but can be painted to complement other trim colors on a home.

KLEERWrap Post Wraps and accessories should be painted using 100% acrylic latex paint or other coatings specifically formulated for use on vinyl products. Painted KLEERWrap products typically outperform painted wood surface in adhesion and longevity.

### **Choose a Color**

- Choose a color with a Light Reflective Value (**LRV**) greater than 55%.
- If a color with an LRV lower than 55% (**dark color**) is desired, choose a coating specifically formulated to paint exterior vinyl a dark color, such as Benjamin Moore Vinyl Select or Sherwin Williams® VinylSafe.\*

### **Prepare the Surface**

- Ensure all surfaces are clean, dry and free from debris or surface contaminants.
- To clean the surface, use a soft brush and standard household cleaner if necessary before painting.

### **Apply the Paint**

- Apply paint with a brush, sprayer or roller. Always follow the paint manufacturer's recommendations for best results.

**Note:** *It may take longer for the paint to fully cure (up to 30 days) on KLEERWrap Post Wraps and accessories compared to wood.*

*\* Any reference herein to a specific product does not constitute or imply an endorsement by Kleer Lumber and is for reference only.*



## Installation Instructions

KleerLumber.com | 800-521-8486



**BORAL**  
BUILDING PRODUCTS

Atlantic® Premium Shutters | Builders Edge® | Foundry® Specialty Siding | Grayne® Engineered Composite Shingle  
Kleer® | Mid-America Siding Components® | SturdiMount® | Tapco Tools® | TruExterior® Siding & Trim  
Vantage® Shutters | Versetta Stone® | Wellcraft Egress Systems®